

Wood Columns

- Failure Modes
- Euler Equation
- End Conditions and Lateral Bracing
- Analysis of Wood Columns
- Design of Wood Columns



Solemar, Bad Dür rheim
Klaus Linkwitz, 1987

Failure Modes

FLEXURE

AXIAL

Strength

$$f_b = \frac{Mc}{I} \quad f_v = \frac{VQ}{Ib}$$

$$f_c = \frac{P}{A}$$

Stability

$$C_L = \frac{1 + (F_{bE}/F_b^*)}{1.9} - \sqrt{\left[\frac{1 + (F_{bE}/F_b^*)}{1.9} \right]^2 - \frac{F_{bE}/F_b^*}{0.95}}$$

$$C_P = \frac{1 + (F_{cE}/F_c^*)}{2c} - \sqrt{\left[\frac{1 + (F_{cE}/F_c^*)}{2c} \right]^2 - \frac{F_{cE}/F_c^*}{c}}$$

Serviceability

Deflection

Bearing (crushing limit)

Leonhard Euler (1707 – 1783)

Euler Buckling (elastic buckling)

FORCE

$$P_{cr} = \frac{\pi^2 AE}{\left(\frac{KL}{r}\right)^2} = \frac{\pi^2 IE}{(KL)^2}$$

SLENDERNESS $\frac{d}{TR}$

$$r = \sqrt{\frac{I}{A}}$$

$$I = Ar^2$$

- A = Cross sectional area (in²)
- E = Modulus of elasticity of the material (lb/in²)
- K = Stiffness (curvature mode) factor
- L = Column length between pinned ends (in.)
- r = radius of gyration (in.)

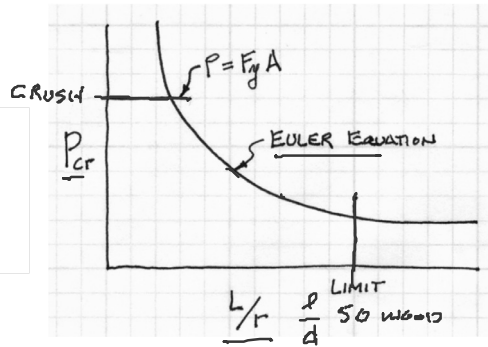
STRESS

$$f_{cr} = \frac{\pi^2 E}{\left(\frac{KL}{r}\right)^2}$$

RECHENGE

$$F_{CE} = \frac{0.822 E'_{\min}}{\left(\frac{le}{d}\right)^2}$$

$\frac{K}{r} \approx \frac{1}{12}$



portrait by Emanuel Handmann, 1753

Failure Mode - Strength

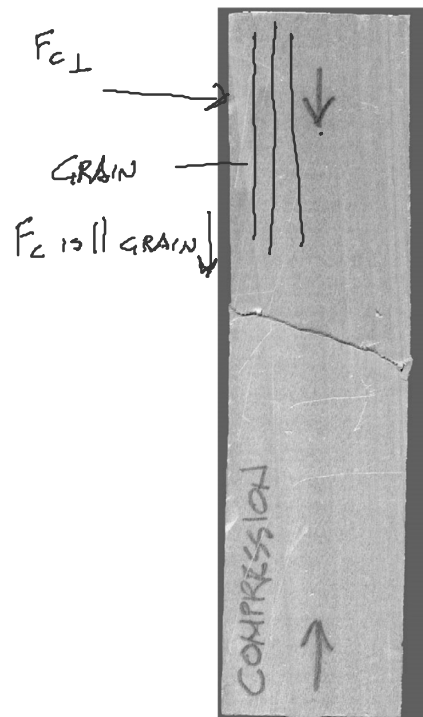
Short Columns – fail by crushing

$$f_c = \frac{P}{A} \leq F_c$$

NOTES

$$A = \frac{P}{F_c}$$

- f_c = Actual compressive stress
- A = Cross-sectional area of column (in²)
- P = Load on the column
- F_c = Allowable compressive stress per codes



Failure Modes – Stability

Long Columns – fail by buckling

Traditional Euler

$$f_{cr} = \frac{\pi^2 E}{\left(\frac{KL}{r}\right)^2}$$

- E = Modulus of elasticity of the column material (psi)
- K = Stiffness (curvature mode) factor
- L = Column length between ends (inches)
- r = radius of gyration = $\sqrt{I/A}$ (inches)

NDS Equation

$$F_{cE} = \frac{0.822 E'_{min}}{\left(\frac{l_e}{d}\right)^2}$$

- E' min = reduced E modulus (psi)
- l_e = K_e l_u (inches)
- d (inches)
- 0.822 = $\frac{\pi^2}{12}$



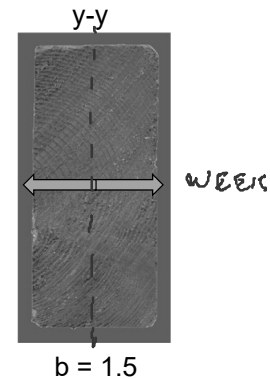
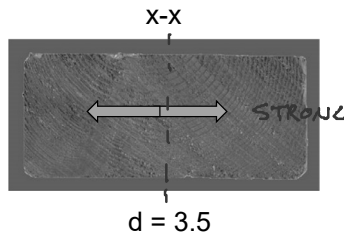
$$r = d/\sqrt{12}$$

Slenderness Ratio l_e/d

Slenderness Ratios:

The larger ratio will govern.
Try to balance for efficiency.

Slenderness Limited to < 50



X-X

$$K_e = 1.0$$

$$l_e = 1.0(96)$$

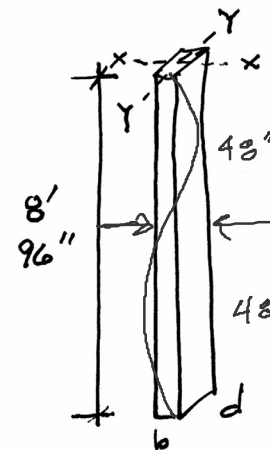
$$\frac{l_e}{d} = \frac{96}{3.5} = \underline{\underline{27.4}}$$

Y-Y

$$K_e = 1.0$$

$$l_e = 1.0(96) \quad 48$$

$$\frac{l_e}{b} = \frac{96}{1.5} = \underline{\underline{64}} \quad \frac{48}{1.5} = \underline{\underline{32}}$$



End Support Conditions

K_e is a constant based on the end conditions

l is the actual length

l_e is the effective length (curved part)

$$l_e = K_e l$$

use these →

Table G1 Buckling Length Coefficients, K_e							
Buckling modes							
	Theoretical K_e value	0.5	0.7	1.0	1.0	2.0	2.0
Recommended design K_e when ideal conditions approximated	0.65	0.80	1.2	1.0	2.10	2.4	
End condition code							Rotation fixed, translation fixed Rotation free, translation fixed Rotation fixed, translation free Rotation free, translation free

Allowable Flexure Stress F_c'

F_c from tables determined by species and grade

$F_c' = F_c$ (adjustment factors)

Actual Flexure Stress f_b

$$f_b = P/A$$

$$F_c' \geq f_b$$

Table 4A Base Design Values for Visually Graded Dimension Lumber (2"-4" thick)^{1,2} (Cont.) (All species except Southern Pine — see Table 4B) (Tabulated design values are for normal load duration and dry service conditions. See NDS 4.3 for a comprehensive description of design value adjustment factors.)

USE WITH TABLE 4A ADJUSTMENT FACTORS								
Species and commercial grade	Size classification	Design values in pounds per square inch (psi)					Modulus of Elasticity E	Grading Rules Agency
		Bending F_b	Tension parallel to grain F_t	Shear parallel to grain F_v	Compression perpendicular to grain $F_{c\perp}$	Compression parallel to grain F_c		
EASTERN HEMLOCK-BALSAM FIR								
Select Structural		1250	575	140	335	1200	1,200,000	NELMA NSLB
No.1		775	350	140	335	1000	1,100,000	
No.2	2" & wider	575	275	140	335	825	1,100,000	
No.3		350	150	140	335	475	900,000	
Stud	2" & wider	450	200	140	335	525	900,000	
Construction		675	300	140	335	1050	1,000,000	
Standard	2"-4" wide	375	175	140	335	850	900,000	
Utility		175	75	140	335	550	800,000	

Adjustment Factors

Table 4.3.1 Applicability of Adjustment Factors for Sawn Lumber

	ASD only	ASD and LRFD											LRFD only		
		Load Duration Factor	Wet Service Factor	Temperature Factor	Beam Stability Factor	Size Factor	Flat Use Factor	Incising Factor	Repetitive Member Factor	Column Stability Factor	Buckling Stiffness Factor	Bearing Area Factor	Format Conversion Factor	Resistance Factor	Time Effect Factor
												K_F	ϕ		
$F'_b = F_b$	X	C_D	C_M	C_t	C_L	C_F	C_{fu}	C_i	C_r	-	-	-	2.54	0.85	λ
$F'_t = F_t$	X	C_D	C_M	C_t	-	C_F	-	C_i	-	-	-	-	2.70	0.80	λ
$F'_v = F_v$	X	C_D	C_M	C_t	-	-	-	C_i	-	-	-	-	2.88	0.75	λ
$F'_c = F_c$	X	C_D	C_M	C_t	-	C_F	X	C_i	X	C_p	-	-	2.40	0.90	λ
$F'_{c\perp} = F_{c\perp}$	X	-	C_M	C_t	-	-	-	C_i	-	-	C_b	-	1.67	0.90	-
$E' = E$	X	-	C_M	C_t	-	-	-	C_i	-	-	-	-	-	-	-
$E'_{min} = E_{min}$	X	-	C_M	C_t	-	-	-	C_i	-	-	C_T	-	1.76	0.85	-

Allowable Flexure Stress F'_c

F_c from tables determined by species and grade

$$F'_c = F_c (C_D C_M C_t C_F C_i C_p)$$

Adjustment factors for compression:

C_D Load Duration Factor

C_t Temperature Factor

Table 2.3.2 Frequently Used Load Duration Factors, C_D

Load Duration	C_D	Typical Design Loads
Permanent	0.9	Dead Load
Ten years	1.0	Occupancy Live Load
Two months	1.15	Snow Load
Seven days	1.25	Construction Load
Ten minutes	1.6	Wind/Earthquake Load
Impact ²	2.0	Impact Load

- (1) Actual stress due to (DL) $\leq (0.9)$ (Design value)
- (2) Actual stress due to (DL+LL) $\leq (1.0)$ (Design value)
- (3) Actual stress due to (DL+WL) $\leq (1.6)$ (Design value)
- (4) Actual stress due to (DL+LL+SL) $\leq (1.15)$ (Design value)
- (5) Actual stress due to (DL+LL+WL) $\leq (1.6)$ (Design value)
- (6) Actual stress due to (DL+SL+WL) $\leq (1.6)$ (Design value)
- (7) Actual stress due to (DL+LL+SL+WL) $\leq (1.6)$ (Design value)

Table 2.3.3 Temperature Factor, C_t

Reference Design Values	In-Service Moisture Conditions ¹	C_t		
		$T \leq 100^\circ\text{F}$	$100^\circ\text{F} < T \leq 125^\circ\text{F}$	$125^\circ\text{F} < T \leq 150^\circ\text{F}$
F_t, E, E_{min}	Wet or Dry	1.0	0.9	0.9
$F_b, F_v, F_c,$ and $F_{c\perp}$	Dry	1.0	0.8	0.7
	Wet	1.0	0.7	0.5

1. Wet and dry service conditions for sawn lumber, structural glued laminated timber, prefabricated wood I-joists, structural composite lumber, wood structural panels and cross-laminated timber are specified in 4.1.4, 5.1.4, 7.1.4, 8.1.4, 9.3.3, and 10.1.5 respectively.

Allowable Flexure Stress F_c' (For Dimensioned Lumber)

F_c from tables determined by species and grade

$$F_c' = F_c (C_D C_M C_t C_F C_i C_P)$$

Adjustment factors for compression:

C_M Moisture Factor

C_F Size Factor

Wet Service Factor, C_M

When dimension lumber is used where moisture content will exceed 19% for an extended time period, design values shall be multiplied by the appropriate wet service factors from the following table:

F_b	F_t	F_v	$F_{c\perp}$	F_c	E and E_{min}
0.85*	1.0	0.97	0.67	0.8**	0.9

* when $(F_b)(C_F) \leq 1,150$ psi, $C_M = 1.0$
** when $(F_c)(C_F) \leq 750$ psi, $C_M = 1.0$

Size Factors, C_F

Grades	Width (depth)	F_b		F_t	F_c
		Thickness (breadth)			
		2" & 3"	4"		
Select Structural, No.1 & Btr, No.1, No.2, No.3	2", 3", & 4"	1.5	1.5	1.5	1.15
	5"	1.4	1.4	1.4	1.1
	6"	1.3	1.3	1.3	1.1
	8"	1.2	1.3	1.2	1.05
	10"	1.1	1.2	1.1	1.0
	12"	1.0	1.1	1.0	1.0
Stud	14" & wider	0.9	1.0	0.9	0.9
	2", 3", & 4"	1.1	1.1	1.1	1.05
	5" & 6"	1.0	1.0	1.0	1.0
	8" & wider	Use No.3 Grade tabulated design values and size factors			
Construction, Standard	2", 3", & 4"	1.0	1.0	1.0	1.0
Utility	4"	1.0	1.0	1.0	1.0
	2" & 3"	0.4	—	0.4	0.6

Allowable Flexure Stress F_c' (For Timbers)

F_c from tables determined by species and grade

$$F_c' = F_c (C_D C_M C_t C_F C_i C_P)$$

Adjustment factors for compression:

C_M Moisture Factor

C_F Size Factor

Size Factor, C_F

When visually graded timbers are subjected to loads applied to the narrow face, tabulated design values shall be multiplied by the following size factors:

Depth	F_b	F_t	F_c
$d > 12"$	$(12/d)^{1/9}$	1.0	1.0
$d \leq 12"$	1.0	1.0	1.0

Wet Service Factor, C_M

When timbers are used where moisture content will exceed 19% for an extended time period, design values shall be multiplied by the appropriate wet service factors from the following table (for Southern Pine and Mixed Southern Pine, use tabulated design values without further adjustment):

F_b	F_t	F_v	$F_{c\perp}$	F_c	E and E_{min}
1.00	1.00	1.00	0.67	0.91	1.00

Allowable Flexure Stress F_c'

F_c from tables determined by species and grade

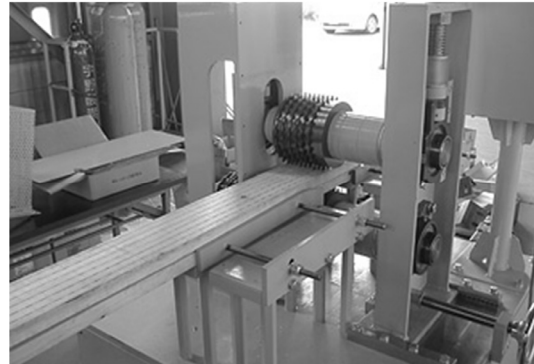
$$F_c' = F_c (C_D C_M C_t C_F C_i C_P)$$

Adjustment factors for compression :

C_i Incising Factor

Table 4.3.8 Incising Factors, C_i

Design Value	C_i
E, E_{min}	0.95
F_b , F_t , F_c , F_v	0.80
F_{ci}	1.00



Allowable Flexure Stress F_c'

F_c from tables determined by species and grade

$$F_c' = F_c (C_D C_M C_t C_F C_i C_P)$$

3.7 Solid Columns

3.7.1 Column Stability Factor, C_p

3.7.1.1 When a compression member is supported throughout its length to prevent lateral displacement in all directions, $C_p = 1.0$.

3.7.1.2 The effective column length, ℓ_e , for a solid column shall be determined in accordance with principles of engineering mechanics. One method for determining effective column length, when end-fixity conditions are known, is to multiply actual column length by the appropriate effective length factor specified in Appendix G, $\ell_e = (K_e)(\ell)$.

3.7.1.3 For solid columns with rectangular cross section, the slenderness ratio, ℓ_e/d , shall be taken as the larger of the ratios ℓ_{e1}/d_1 or ℓ_{e2}/d_2 (see Figure 3F) where each ratio has been adjusted by the appropriate buckling length coefficient, K_e , from Appendix G.

3.7.1.4 The slenderness ratio for solid columns, ℓ_e/d , shall not exceed 50, except that during construction ℓ_e/d shall not exceed 75.

3.7.1.5 The column stability factor shall be calculated as follows:

$$C_p = \frac{1 + (F_{CE}/F_c')}{2c} - \sqrt{\left[\frac{1 + (F_{CE}/F_c')}{2c} \right]^2 - \frac{F_{CE}/F_c'}{c}} \quad (3.7-1)$$

where:

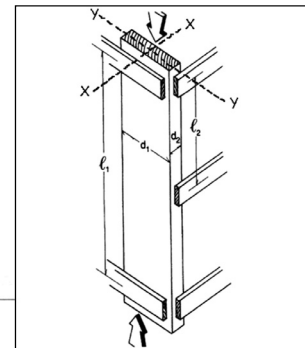
F_c' = reference compression design value parallel to grain multiplied by all applicable adjustment factors except C_p (see 2.3), psi

$$Euler \quad F_{CE} = \frac{0.822 E_{min}'}{(\ell_e/d)^2}$$

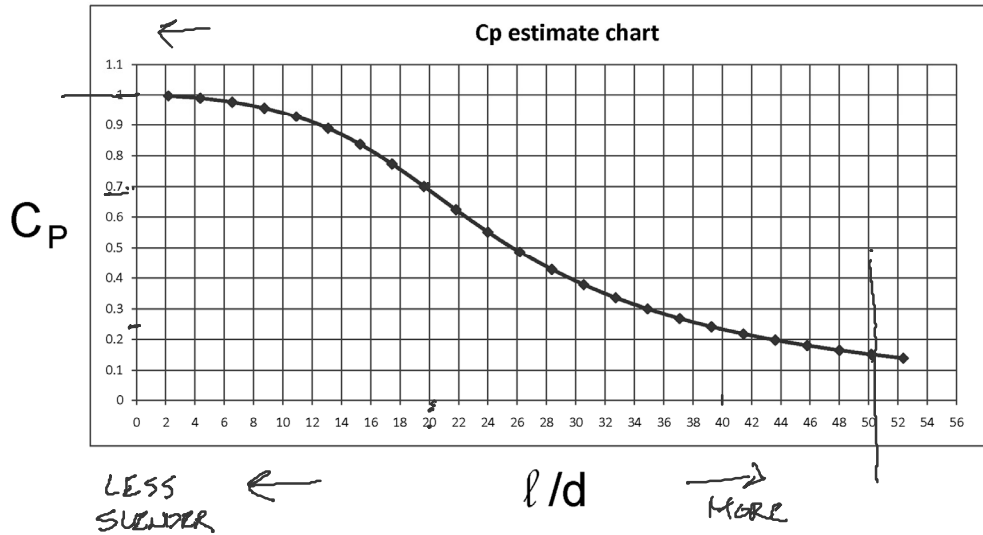
$c = 0.8$ for sawn lumber

$c = 0.85$ for round timber poles and piles

$c = 0.9$ for structural glued laminated timber or structural composite lumber



C_P



Analysis of Wood Columns

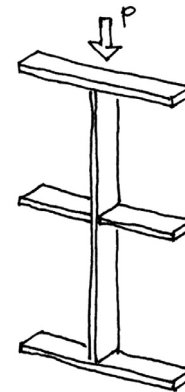
Data:

- Column – size, length
- Support conditions
- Material properties – F_c , E
- Load

Required:

- Pass/Fail or margin of safety

1. Calculate slenderness ratio l_e/d → largest ratio governs. Must be < 50
2. Find adjustment factors
 $C_D C_M C_t C_F C_i$
3. Calculate C_P
4. Determine F'_c by multiplying the tabulated F_c by all the above factors
ACTUAL
5. Calculate the actual stress: $f_c = P/A$
6. Compare Allowable and Actual stress.
 $F'_c > f_c$ passes

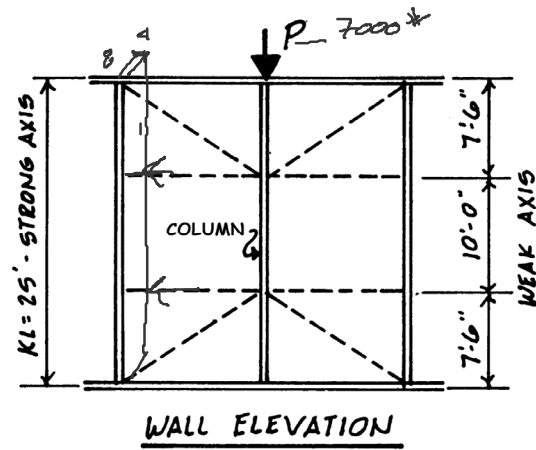


Analysis Example:

Data: section 4x8 (nominal)
 Douglas Fir-Larch No.1
 M.C. 15%
 P = 7000 LBS (Snow Load)

Find: Pass/Fail

$$C_D = 1.15$$



From NDS Supplement Table 4A

$F_c = 1500$ psi
 $E_{min} = 620000$ psi

$C_D = 1.15$ (snow) ✓
 ~~$C_M = 1.0$~~
 ~~$C_t = 1.0$~~
 $C_F = 1.05$ (4x8)
 ~~$C_i = 1.0$~~
 $C_P = ?$

Size Factors, C_F

Grades	Width (depth)	F_c
Select Structural, No.1 & Btr, No.1, No.2, No.3	2", 3", & 4"	1.15
	5"	1.1
	6"	1.1
	<u>8"</u>	<u>1.05</u>
	10"	1.0
	12"	1.0
Stud	14" & wider	0.9
	2", 3", & 4"	1.05
	5" & 6"	1.0
Construction, Standard	8" & wider	1.0
	2", 3", & 4"	1.0
Utility	4"	1.0
	2" & 3"	0.6

Allowable Flexure Stress F_c'

F_c from tables determined by species and grade

$$F_c' = F_c (C_D C_M C_t C_F C_i C_P)$$

Adjustment factors for compression:

C_M Moisture Factor
 C_F Size Factor

Wet Service Factor, C_M

When dimension lumber is used where moisture content will exceed 19% for an extended time period, design values shall be multiplied by the appropriate wet service factors from the following table:

Wet Service Factors, C_M

F_b	F_t	F_v	F_{cL}	F_c	E and E_{min}
0.85*	1.0	0.97	0.67	<u>0.8**</u>	0.9

* when $(F_b)(C_F) \leq 1,150$ psi, $C_M = 1.0$

** when $(F_c)(C_F) \leq 750$ psi, $C_M = 1.0$

Size Factors, C_F

Grades	Width (depth)	F_b		F_t	F_c
		Thickness (breadth)			
		2" & 3"	4"		
Select Structural, <u>No.1</u> & Btr, No.1, No.2, No.3	2", 3", & 4"	1.5	1.5	1.5	1.15
	5"	1.4	1.4	1.4	1.1
	6"	1.3	1.3	1.3	1.1
	<u>8"</u>	1.2	1.3	1.2	<u>1.05</u>
	10"	1.1	1.2	1.1	1.0
	12"	1.0	1.1	1.0	1.0
Stud	14" & wider	0.9	1.0	0.9	0.9
	2", 3", & 4"	1.1	1.1	1.1	1.05
	5" & 6"	1.0	1.0	1.0	1.0
	8" & wider	Use No.3 Grade tabulated design values and size factors			
Construction, Standard	2", 3", & 4"	1.0	1.0	1.0	1.0
Utility	4"	1.0	1.0	1.0	1.0
	2" & 3"	0.4	—	0.4	0.6

Analysis Example:

Calculate C_p

$$C_p = \frac{1 + (F_{cE}/F_c^*)}{2c} - \sqrt{\left[\frac{1 + (F_{cE}/F_c^*)}{2c} \right]^2 - \frac{F_{cE}/F_c^*}{c}} \quad (3.7-1)$$

where:

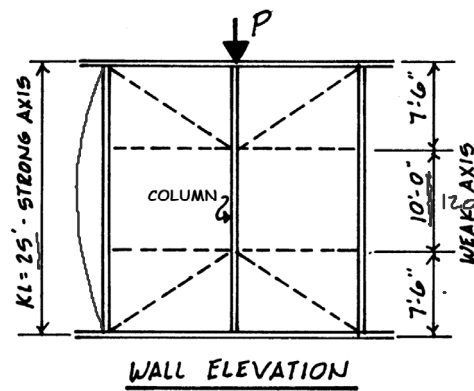
F_c^* = reference compression design value parallel to grain multiplied by all applicable adjustment factors except C_p , (see 2.3), psi

$$F_{cE} = \frac{0.822 E_{min}'}{(l_e/d)^2}$$

$c = 0.8$ for sawn lumber

$c = 0.85$ for round timber poles and piles

$c = 0.9$ for structural glued laminated timber or structural composite lumber



$$\begin{array}{ll} X-X & Y-Y \\ l_{e_x} = 25' = 300'' & l_{e_y} = 10' = 120'' \\ l_{e_x}/d_1 = \frac{300''}{7.25''} & l_{e_y}/d_2 = \frac{120''}{3.5''} \\ = 41.4 & = 34.3 \\ l_e/d = 41.4 < 50 \quad \checkmark \end{array}$$

Analysis Example:

Calculate C_p

$$C_p = \frac{1 + (F_{cE}/F_c^*)}{2c} - \sqrt{\left[\frac{1 + (F_{cE}/F_c^*)}{2c} \right]^2 - \frac{F_{cE}/F_c^*}{c}} \quad (3.7-1)$$

where:

F_c^* = reference compression design value parallel to grain multiplied by all applicable adjustment factors except C_p , (see 2.3), psi

$$F_{cE} = \frac{0.822 E_{min}'}{(l_e/d)^2}$$

$c = 0.8$ for sawn lumber

$c = 0.85$ for round timber poles and piles

$c = 0.9$ for structural glued laminated timber or structural composite lumber

$$\begin{aligned} F_{cE} &= \frac{0.822 E_{min}'}{(l_e/d)^2} \\ &= \frac{0.822 (620000)}{(41.4)^2} \\ &= 297.6 \text{ psi} \end{aligned}$$

$$\begin{aligned} F_c^* &= 1500 (C_D C_F) \\ &= 1811.25 \text{ psi} \end{aligned}$$

$$F_{cE}/F_c^* = \frac{297.6}{1811.25} = 0.164$$

$$c = 0.8$$

Analysis Example:

Calculate C_p

$$C_p = \frac{1 + (F_{ce}/F'_c)}{2c} - \sqrt{\left[\frac{1 + (F_{ce}/F'_c)}{2c} \right]^2 - \frac{F_{ce}/F'_c}{c}} \quad (3.7-1)$$

where:

F'_c = reference compression design value parallel to grain multiplied by all applicable adjustment factors except C_p (see 2.3), psi

$$F_{ce} = \frac{0.822 E_{min}'}{(l_e/d)^2}$$

$c = 0.8$ for sawn lumber

$c = 0.85$ for round timber poles and piles

$c = 0.9$ for structural glued laminated timber or structural composite lumber

$$C_p = \frac{1 + 0.164}{2(0.8)} - \sqrt{\left[\frac{1 + 0.164}{2(0.8)} \right]^2 - \frac{0.164}{.8}}$$

$$C_p = 0.1584$$

$$F'_c = 1500 \begin{matrix} C_D & C_F & C_p \\ (1.15 & 1.05 & 0.1584) \end{matrix}$$

Allow.

$$= 286.9 \text{ psi}$$

OK

$$F_c = \frac{P}{A} = \frac{7000 \text{ lb}}{25.38 \text{ in}^2} = 275.8 \text{ psi}$$

ACTUAL

$$F'_c > F_c \quad \checkmark \text{ OK}$$

Compare Allowable and Actual stress

$F'_c > F_c$ passes

Capacity Analysis of Columns

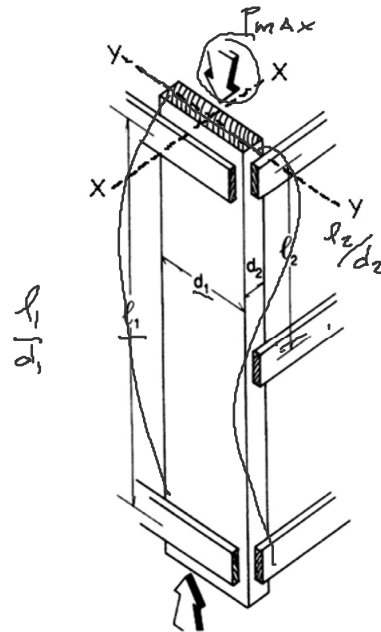
Data:

- Column – size, length
- Support conditions
- Material properties – F_c , E

Required:

- Maximum Load Capacity, P_{max}
1. Calculate slenderness ratio l_e/d
largest ratio governs. Must be < 50
 2. Find adjustment factors
 $C_D C_M C_t C_F C_i$ ✓
 3. Calculate C_p
 4. Determine F'_c by multiplying the tabulated F_c by all the above factors
 5. Set actual stress = allowable, $f_c = F'_c$
 6. Find the maximum allowable load

$$\underline{P_{max}} = F'_c A$$



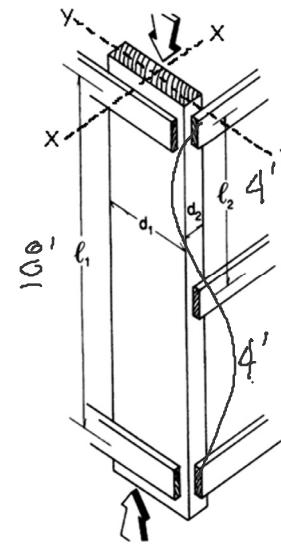
Capacity Example

Data:

- 4x10
- Hem - Fir, No 2 M.C. = 20% > 19%
- Wind Load $C_D = 1.6$
- $L1 = 8'$ $L2 = 4'$ $K_e = 1.0$

Required:

- Maximum Load Capacity, Pmax



From NDS Supplement Table 4A

$$F_c = 1300 \text{ psi}$$

$$E_{min} = 470000 \text{ psi}$$

$$C_D = 1.6 \text{ (Table 2.3.2.)}$$

$$C_{Mc} = 0.8 \quad C_{ME} = 0.9$$

$$C_t = 1.0$$

$$C_F = 1.0 \text{ (chart in Supplement)}$$

$$C_i = 1.0$$

$$C_P = ?$$

4x10
3.5' x 9.25'

x-x $l_{ex} = 8' = 96''$
 $\frac{l_{ex}}{d_1} = \frac{96}{9.25} = 10.4$

y-y $l_{ey} = 4' = 48''$
 $\frac{l_{ey}}{d_2} = \frac{48}{3.5} = 13.7$

$\frac{l_{ey}}{d} = 13.7 < 50 \checkmark$

Allowable Flexure Stress F_c'

4 x 10

F_c from tables determined by species and grade

$$F_c' = F_c (C_D C_M C_t C_F C_i C_P)$$

Adjustment factors for compression:

C_M Moisture Factor

C_F Size Factor

Wet Service Factor, C_M

When dimension lumber is used where moisture content will exceed 19% for an extended time period, design values shall be multiplied by the appropriate wet service factors from the following table: 20%

Wet Service Factors, C_M

F_b	F_t	F_v	F_{cL}	F_c	E and E_{min}
0.85*	1.0	0.97	0.67	0.8**	0.9

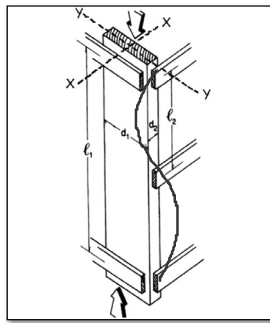
* when $(F_b)(C_P) \leq 1,150$ psi, $C_M = 1.0$

** when $(F_c)(C_F) \leq 750$ psi, $C_M = 1.0$

Size Factors, C_F

Grades	Width (depth)	F_b		F_t	F_c
		Thickness (breadth)			
		2" & 3"	4"		
Select Structural, No.1 & Btr, No.1, No.2, No.3	2", 3", & 4"	1.5	1.5	1.5	1.15
	5"	1.4	1.4	1.4	1.1
	6"	1.3	1.3	1.3	1.1
	8"	1.2	1.3	1.2	1.05
	10"	1.1	1.2	1.1	1.0
	12"	1.0	1.1	1.0	1.0
Stud	14" & wider	0.9	1.0	0.9	0.9
	2", 3", & 4"	1.1	1.1	1.1	1.05
	5" & 6"	1.0	1.0	1.0	1.0
Construction, Standard	8" & wider	Use No.3 Grade tabulated design values and size factors			
	2", 3", & 4"	1.0	1.0	1.0	1.0
	4"	1.0	1.0	1.0	1.0
Utility	4"	1.0	1.0	1.0	1.0
	2" & 3"	0.4	—	0.4	0.6

Capacity Example



Find C_p

$$F_{CE} = \frac{0.822 E'_{min}}{(l_e/d)^2}$$

$$= \frac{0.822 (470000) (0.9)}{13.7^2}$$

$$= 1848.7 \text{ psi}$$

$$F_c^* = \frac{F_c}{C_D} = \frac{1300 (1.6 \cdot 0.8)}{1.664} = 1664 \text{ psi}$$

$$\frac{F_{CE}}{F_c^*} = \frac{1848.7}{1664} = 1.111$$

$$C_p = 0.7261$$

$$C_p = \frac{1 + (F_{CE}/F_c^*)}{2c} - \sqrt{\left[\frac{1 + (F_{CE}/F_c^*)}{2c} \right]^2 - \frac{F_{CE}/F_c^*}{c}} \quad (3.7-1)$$

where:

F_c^* = reference compression design value parallel to grain multiplied by all applicable adjustment factors except C_p , (see 2.3), psi

$$F_{CE} = \frac{0.822 E'_{min}}{(l_e/d)^2}$$

$c = 0.8$ for sawn lumber

$c = 0.85$ for round timber poles and piles

$c = 0.9$ for structural glued laminated timber or structural composite lumber

Find the maximum load, P_{max}

$$F_c' = 1300 (1.6 \cdot 0.8 \cdot 0.7261) = 1208 \text{ psi}$$

$$P_{max} = F_c' A = 1208 (32.38 \text{ m}^2) = 39115 \text{ #}$$

3.5 x 9.25"

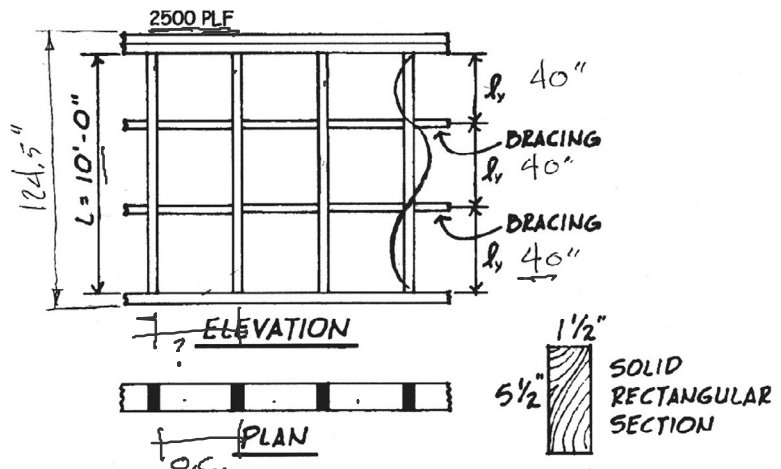
Stud Wall Example

Data:

- 2×6 DRY
- S-P-F (Stud) M.C. = 12%
- $C_D = 1$ D+L Load = 2500 PLF
- Braced as shown $K_e = 1.0$

Required:

- o.c. spacing



From NDS Supplement Table 4A

$$F_c = 725 \text{ psi}$$

$$E_{min} = 440000 \text{ psi}$$

$$C_D = 1.0 \text{ (LL)}$$

$$C_{Mc} = 1.0 \quad C_{ME} = 1.0 \text{ DRY}$$

$$C_t = 1.0$$

$$C_F = 1.0 \text{ (stud)}$$

$$C_i = 1.0$$

$$C_p = ?$$

Stud Wall Example

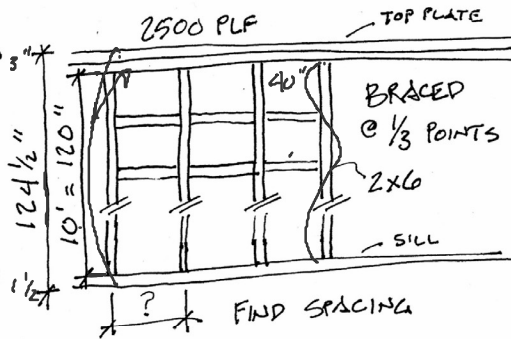
STUD WALL

S-P-F STUD GRADE

$$F_c = 725 \text{ psi}$$

$$E_{min} = 440,000 \text{ psi}$$

$$C_D = 1 \quad C_M = 1 \quad C_P = 1.0$$



$$\begin{array}{l}
 \text{X-X} \\
 l_{e_x} = 124.5'' \\
 \frac{l_e}{d} = \frac{124.5}{5.5} = 22.6 \\
 \text{CONTROLLING } \frac{l_e}{d} = 26.7
 \end{array}
 \quad
 \begin{array}{l}
 \text{Y-Y} \\
 l_{e_y} = 40'' \\
 \frac{l_e}{d} = \frac{40}{1.5} = 26.7 \\
 < 50 \checkmark
 \end{array}$$

Stud Wall Example

C_p

$$\begin{array}{l}
 \text{X-X} \\
 l_{e_x} = 124.5'' \\
 \frac{l_e}{d} = \frac{124.5}{5.5} = 22.6 \\
 \text{CONTROLLING } \frac{l_e}{d} = 26.7 < 50
 \end{array}
 \quad
 \begin{array}{l}
 \text{Y-Y} \\
 l_{e_y} = 40'' \\
 \frac{l_e}{d} = \frac{40}{1.5} = 26.7 \\
 < 50 \checkmark
 \end{array}$$

$$F_{cE} = \frac{0.822 E_{min}}{\left(\frac{l_e}{d}\right)^2} = \frac{0.822 (440,000)}{26.7^2} = 508.6 \text{ psi}$$

$$F_c^* = 725 (1 \times 1 \times 1) = 725 \text{ psi}$$

$$\frac{F_{cE}}{F_c^*} = \frac{508.6}{725} = 0.702 \checkmark$$

$$\text{NDS eq. 3.7-1} \rightarrow C_p = \underline{0.559}$$

Stud Wall Example

Find max allowable stress, F'_c

$$F'_c = 7.25 (0.559) = \boxed{4.056 \text{ psi}}$$

Calculate max load per stud

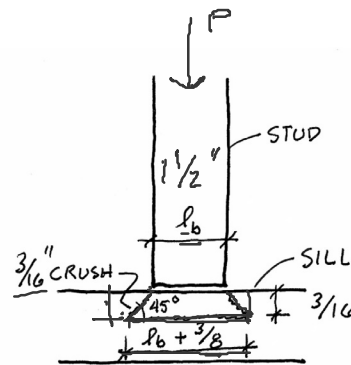
$$P = F'_c A = 4.056 \text{ psi} \times 8.25 \text{ in}^2 = 3345 \text{ lbs}$$

Determine max stud spacing

$$\frac{2500 \text{ PLF}}{3345 \text{ LBS/STUD}} = \frac{12'' \text{ o.c.}}{S} \rightarrow S = 16'' \text{ o.c. (ROUND DOWN)}$$

Stud Wall Example

Check bearing on sill plate



3.10.4 Bearing Area Factor, C_b

Reference compression design values perpendicular to grain, $F_{c\perp}$, apply to bearings of any length at the ends of a member, and to all bearings 6" or more in length at any other location. For bearings less than 6" in length and not nearer than 3" to the end of a member, the reference compression design value perpendicular to grain, $F_{c\perp}$, shall be permitted to be multiplied by the following bearing area factor, C_b :

$$C_b = \frac{l_b + 0.375}{l_b} \quad (3.10-2)$$

where:

l_b = bearing length measured parallel to grain, in.

Equation 3.10-2 gives the following bearing area factors, C_b , for the indicated bearing length on such small areas as plates and washers:

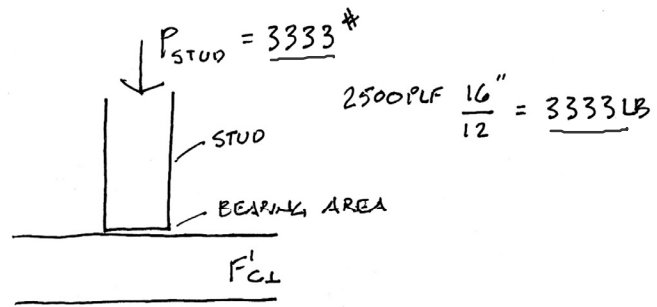
l_b	0.5"	1"	1.5"	2"	3"	4"	6" or more
C_b	1.75	1.38	1.25	1.19	1.13	1.10	1.00

For round bearing areas such as washers, the bearing length, l_b , shall be equal to the diameter.

Stud Wall Example

Check bearing on sill plate

- determine C_b
- calculate $F'_{c\perp}$
- calculate $f_{c\perp}$
- check stress



$$b = 1.5''$$

$$C_b = 1.25$$

$$F_{c\perp} = 425 \text{ psi} \quad F'_{c\perp} = 425(1.25) = 531 \text{ psi}$$

$$f_{c\perp} = \frac{P}{A} = \frac{3333 \#}{8.25 \text{ in}^2} = 404 \text{ psi} \quad \text{ACTUAL}$$

$$f_{c\perp} = 404 < 531 = F'_{c\perp} \quad \checkmark \text{ OK}$$